

ASCO™ Solenoid Valves

For Cryogenic Service

Direct Operated, 1/8, 1/4 and 3/8 Tapped

2/2 NC

Series

262-263

Features

- The solenoid valves will withstand the severe service encountered in controlling cryogenic fluids, such as liquid oxygen (-183°C), liquid argon (-186°C) and liquid nitrogen (-196°C)
- All valves are degreased, cleaned, tested and packed to keep them free from moisture. In addition liquid oxygen (LOX) valves are "black light" tested to check for any hydrocarbons
- Valves do not require a minimum operating pressure
- Compliance with UL and CSA standards
- The solenoid valves satisfy all relevant EU directives

General

Differential pressure

See «SPECIFICATIONS» [1 bar =100 kPa]

Maximum viscosity

65 cSt (mm²/s)

Response time

5 - 25 ms

fluids (*)	temperature range (TS)	seal materials (*)
cryogenic fluids	-196°C to +60°C	PTFE

Materials in contact with fluid

(*) Ensure that the compatibility of the fluids in contact with the materials is verified

Body	Brass
Shading coil	Copper
Core tube	Stainless steel, AISI 305
Core and plugnut	Stainless steel, AISI 430F
Springs	Stainless steel, AISI 302
Seal	Lead-clad copper
Disc	PTFE

Electrical characteristics

Coil insulation class

F (AC) or H (DC)

Connector

Spade plug (cable Ø 6-10 mm)

Connector specification

ISO 4400 / EN 175301-803, form A

Electrical safety

IEC 335

Electrical enclosure protection

Moulded IP65 (EN 60529)

Standard voltages

DC (=) : 24V - 48V

(Other voltages and 60 Hz on request)

AC (-) : 24V - 48V - 115V - 230V/50 Hz

operator ambient temperature range (TS) (°C)	power ratings			replacement coil ⁽¹⁾		
	inrush ~ (VA)	holding ~ (VA)	hot/cold = (W)	~ (W)	= (W)	
-40 to +55	50	25	10,1	8,5/11,6	238613-059	238913-006
	70	40	17,1	15,1/22,6	238613-159	238913-106

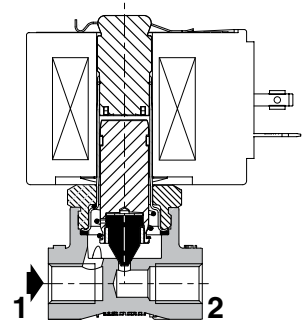
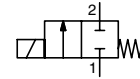
⁽¹⁾ All 238 basic numbers are UL & CSA approved and marked with the UR (recognised component) & CSA logos.

Options

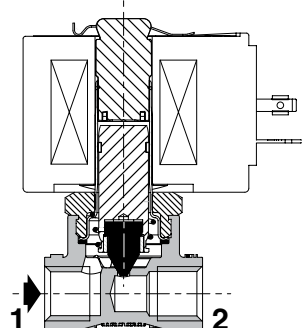
- Seals and disc (*) ⁽²⁾ PTFE: -196°C to +66°C (coil class F / AC Voltage)
-196°C to +49°C (coil class H / DC Voltage)
- Connector with visual indication and peak voltage suppression or with cable length of 2 m

(*) Ensure that the compatibility of the fluids in contact with the materials is verified.

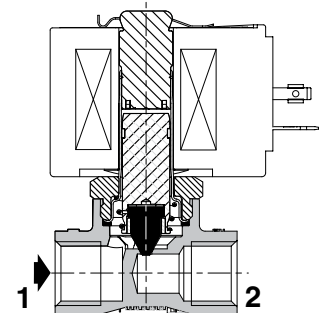
⁽²⁾ The minimum ambient temperature of the solenoid valve is determined by the limitations of minimum temperature indicated.



NC function (263 - 1/8)



NC function (262 - 1/4)



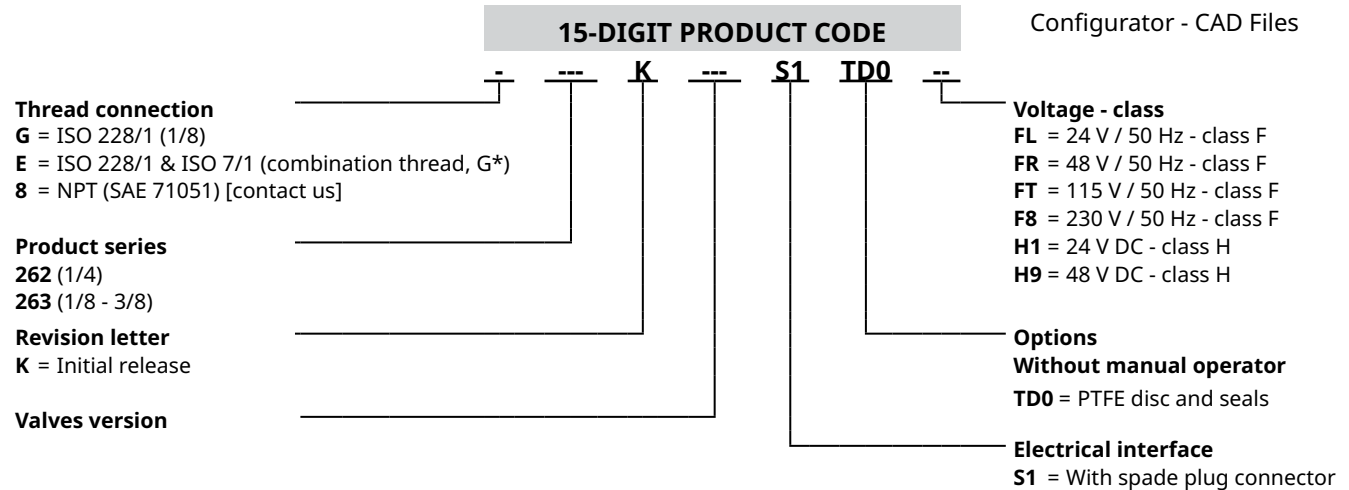
NC function (263 - 3/8)

Specifications

pipe size	orifice size (mm)	flow coefficient Kv (m ³ /h)(l/min)		operating pressure differential (bar)				power coil (W)		thread type	dimensions / type ⁽¹⁾	15-DIGIT PRODUCT CODE						
				min.	max. (PS)		cryogenic fluids (*)					brass	voltage code					
					~	=							24 V/50 Hz	48 V/50 Hz	115 V/50 Hz	230 V/50 Hz	24 V/DC	48 V/DC
					~ =													
Without manual operator																		
NC - Normally closed																		
1/8	3,2	0,3	5	0	11	4.5	10,1	11,6	G	01	G263K240S1TD0							
1/4	3,2	0,3	5	0	11	4.5	10,1	11,6	G*	01	E262K232S1TD0							
	5,6	0,63	10,5	0	7	3	17,1	22,6	G*	01	E262K114S1TD0							
3/8	7,1	0,76	12,7	0	4	1.2	17,1	22,6	G*	01	E262K212S1TD0							
	3,2	0,3	5	0	11	4.5	10,1	11,6	G*	02	E263K232S1TD0							
	5,6	0,63	10,5	0	6	3	17,1	22,6	G*	02	E263K206S1TD0							
3/8	7,1	0,76	12,7	0	4	1.2	17,1	22,6	G*	02	E263K210S1TD0							

⁽¹⁾For dimensions, see drawing(s) for each construction type on the following page(s).

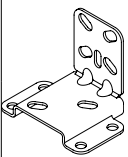
(*) Ensure that the compatibility of the fluids in contact with the materials is verified.



	Spare parts kits no. (*)			
	AC (~)		DC (=)	
		PTFE		PTFE
<p>G263K240 E262K232 E262K114 E262K212 E263K232 E263K206 E263K210</p>	M200056	TD0	M200057	TD0

01473GB-2023/R01 Availability, design and specifications are subject to change without notice. All rights reserved.

ASCO™ Solenoid Valves

		Accessories code
	Mounting bracket Steel version (AISI 1010 / 1.1121)	M200094A00
	Mounting bracket Stainless steel version (AISI 304 / 1.4301)	M200095A00

Installation

- The solenoid valves can be mounted in any position without affecting operation
- Solenoid valves have 2 mounting holes in body
- Thread connection "E" applicable for 1/4, 3/8 have standard thread according to ISO 228/1 and ISO 7/1. Thread connection "G" applicable for 1/8, have standard thread according to ISO 228/1
- Thread connection "8" have standard thread = NPT (SAE 71051)
- Installation/maintenance instructions are included with each valve

Dimensions (mm), Weight (kg)

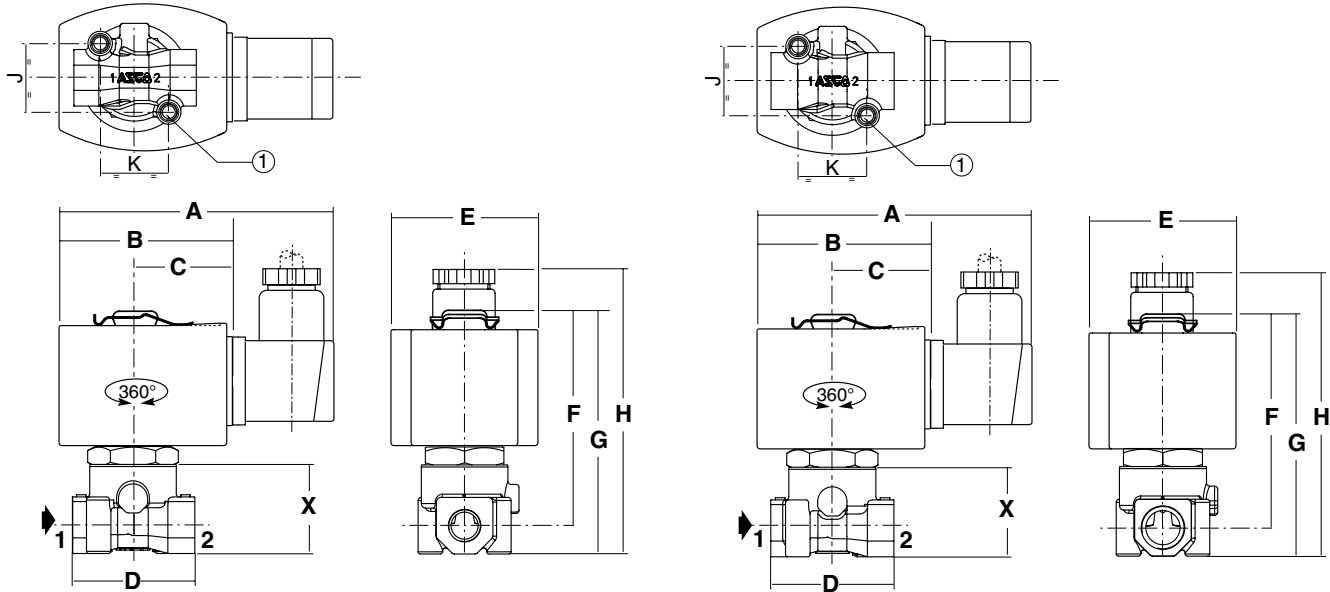
Configurator - CAD Files



TYPE 01
Electrical interface "S1"
Epoxy moulded
IEC 335 / ISO 4400
IP65

1/8 power coil 10,1 W / 11,6 W

1/4 power coil 10,1 W / 11,6 W - 17,1 W / 22,6 W

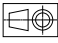


type	pipe size	A	B	C	D	E	F	G	H	X	weight ⁽¹⁾
01	1/8	95	57	33	40	50	69	78	93	29	0,54
	1/4	95	57	33	40	50	69	78	93	29	0,58

① 2 mounting holes:
M5 dia., depth 7,5 mm (1/8-1/4)

⁽¹⁾ Incl. coil(s) and connector(s).

01473GB-2023/R01
Availability, design and specifications are subject to change without notice. All rights reserved.

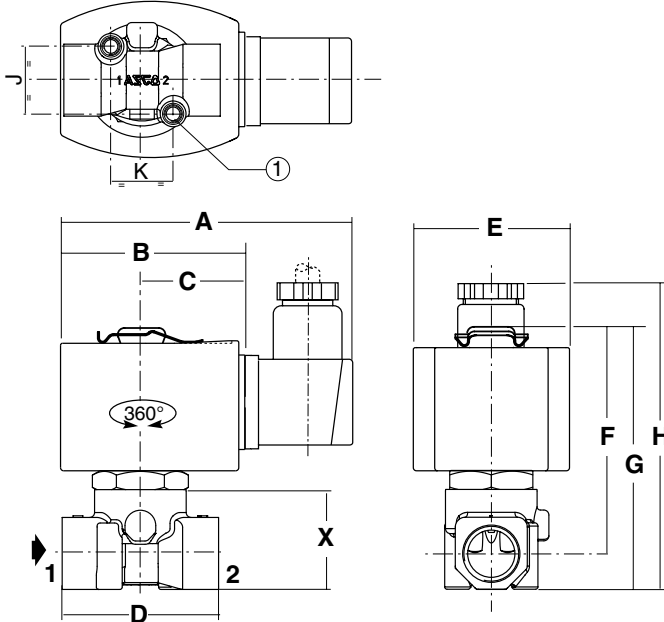
Dimensions (mm), Weight (kg) 

Configurator - CAD Files



TYPE 02
Electrical interface "S1"
Epoxy moulded
IEC 335 / ISO 4400
IP65

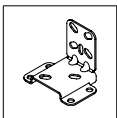
3/8 power coil 10,1 W / 11,6 W - 17,1 W / 22,6 W



type	pipe size	A	B	C	D	E	F	G	H	X	weight ⁽¹⁾
02	3/8	95	59	34	48	50	69	80	95	31	0,61

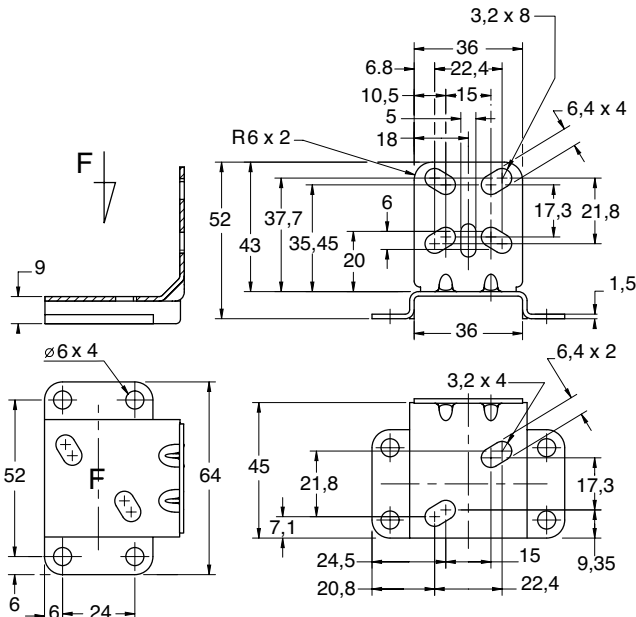
⁽¹⁾ Incl. coil(s) and connector(s).

① 2 mounting holes:
M5 dia., depth 6 mm (3/8)



Mounting bracket
Steel or stainless steel

M200094A00 / M200095A00



01473GB-2023/R01
Availability, design and specifications are subject to change without notice. All rights reserved.